

WBRTIRPZ1825A

四轴机器人
Four-axis Robot



WBRTIRPZ1825A 是微思康针对某些单调、频繁和重复的长时间作业，或是危险、恶劣环境下的作业等而开发的一款四轴机器人，其拥有 1800mm 臂展，最大负载可达 25kg。具有多自由度的灵活性，对上下料、搬运、拆垛、码垛等场景能够应对自如。

防护等级高：IP50 防尘。

精度高：重复定位精度 $\pm 0.08\text{mm}$ 。

WBRTIRPZ1825A type robot is a four-axis robot that developed by WISCONTROL for some monotonous, frequent and repetitive long-term operations or operations in dangerous and harsh environments. The maximum arm length is 1800mm. The maximum load is 25KG. It's flexible with multiple degrees of freedom. Suitable for loading and unloading, handling, dismantling and stacking etc.

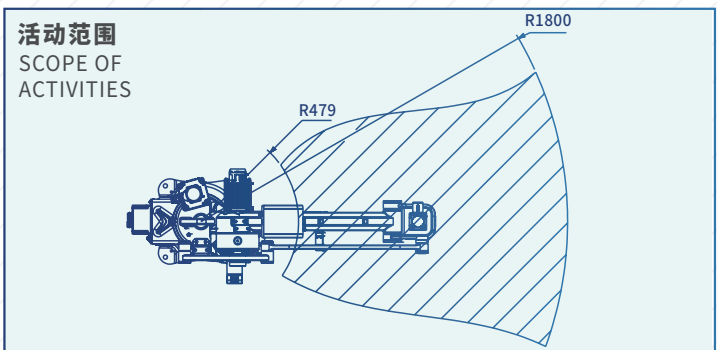
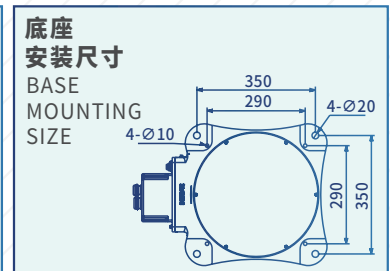
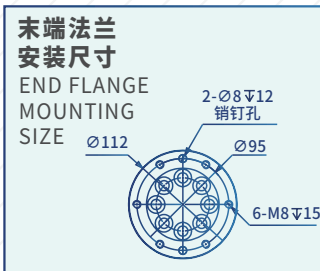
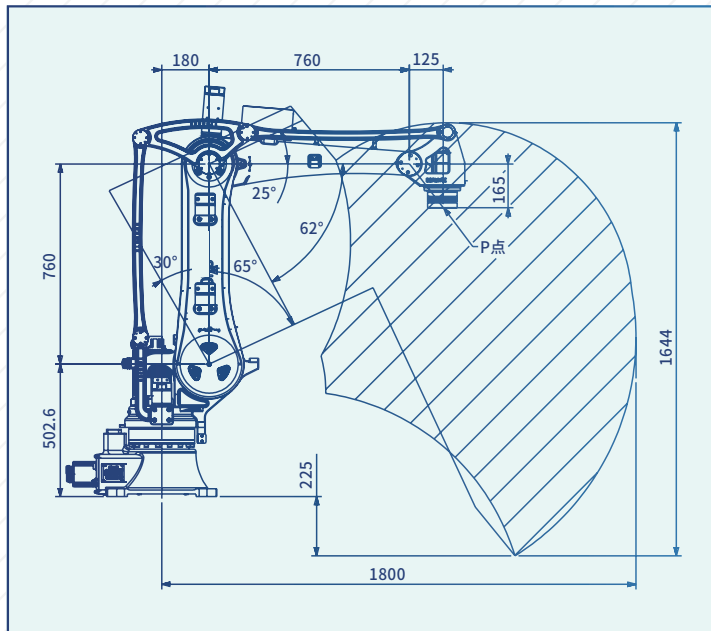
The protection grade reaches IP50. Dust-proof.

The repeat positioning accuracy is $\pm 0.08\text{mm}$.



机型/Model	项目/Item	手臂/Arm			手腕/Wrist		臂展 (mm) Arm Length	负载 (KG) Loading ability	重复定位精度 (mm) Repeated positioning accuracy	电源容量 (KVA) Power Source	重量 (KG) Weight
		J1	J2	J3	J4	R34					
WBRTIRPZ1825A	臂展 (mm) Arm Length	地面-2轴距 floor-2 axis range 502.6mm	2-3轴距 2-3 axis range 760mm	3-4轴距 3-4 axis range 760mm			1800	25	± 0.08	6	约256 about 256
	范围 (#) Range	$\pm 155^\circ$	$-65^\circ/+30^\circ$	$-62^\circ/+25^\circ$	$\pm 360^\circ$	$60^\circ-170^\circ$					
	最大速度 (#/s) Max. speed	175/s	135/s	123/s	300/s	/					

基本尺寸/活动范围 BASIC SIZE/SCOPE OF ACTIVITIES



因改良等原因，规格及外观有所变更时，不再另行通知，敬请谅解。

No further notice if the specification and appearance are changed due to improvement and other reasons. Thank you for your understanding.